

MATERIALE OCCASIONE

(PREZZI AL PEZZO IVA COMPRESA PAGAMENTO IN CONTANTI O CARTA DI CREDITO)

**ABBIAMO BISOGNO DI SPAZIO,
TUTTO DEVE ESSERE VENDUTO!!!!
GROSSA SVENDITA**

SECOND HAND MATERIAL

(PRICES PER PIECE INCLUDING VAT FOR CASH OR CREDIT CARD PAYMENT)

**WE NEED SPACE, ALL MUST BE SOLD!!!
BIG SALE**

OCCASIONSLISTE

(PREISE PRO STÜCK INKLUSIV MWST MIT CREDIT CARD ODER BARBEZAHLUNG)

**WIR BENÖTIGEN PLATZ, ALLES MUSS WEG!!!
GROSSER AUSVERKAUF**

***30.4 - 1.5 - 2.5.2018
Padiglione Conza - Lugano
15.00 - 21.00***

Much more equipment not listed and also free of charge on site

LIGHT

AUTOMATED	2	CLAY PAKY ASTRORAGGI POWER HSR 400	150.00	
	3	Set of 8 x CLAY PAKY STAGE COLOR 300 in double case	2'900.00	
	1	Set of 12 x CLAY PAKY STAGE COLOR 300 in double case	4'200.00	
	4	Set of 6 x CLAY PAKY ALPHA SPOT 575 HPE in double case	4'500.00	
	1	Set of 6 x CLAY PAKY STAGE SCAN	1'500.00	
	1	Set of 8 x CLAY PAKY MINISCAN HP3 in four case	3'000.00	
	2	Set of 6 x CLAY PAKY GOLDEN SCAN II	600.00	
	2	Set of 6 x CLAY PAKY PIN SCAN	300.00	
	2	Set of 8 x CLAY PAKY ALPHA WASH 575	6'000.00	
	1	Set of 8 x CLAY PAKY ALPHA HALO 1200	6'000.00	
	1	Set of 6 x CLAY PAKY ALPHA HALO 1200	4'500.00	
	4	CLAY PAKY ALPHA PROFILE 1200 (available from middle June)	750.00	
	4	Set of 6 x wash moving head LED COLOR IMAGINATION DOT60F	1'500.00	
	4	Set of 2 x DOME OUTDOOR BASIC 120/150 cm with "Wick" double case like NEW	800.00	
	COLOR CHANGER	8	STUDIO DUE CITY COLOR 1800 with case	400.00
		11	Set of 2 x CLAY PAKY CP COLOR 400 in double case	600.00
	PAR/PC/ FRESNEL/SPOT/ BLINDER	2	Set of 2 x CLAY PAKY VIP 300 in double case	290.00
div.		Div. Accessories for VIP	From 10.00	
3		STRAND/QUARTZ COLOR POLLUX Fresnel Studio 5 KW P.O.	150.00	
10		Castor Fresnel Bambino 2 KW P.O.	50.00	
1		Disco Set 5 x Flightcase 8 x PAR 36 + 8 x Overcraft with controller, cables and stanc	500.00	
30		PAR 56 long polished with lamp	10.00	
4		Bar 4 x PAR 56 long Polished with lamp	50.00	
2		DTS 4000 BLINDER 4 x PAR 36 DWE 650 W	40.00	
60		SPOTLIGHT DOMINO 1000 W	30.00	
32		FOSNOVA TRIAL ONE JM-TS 150 white with 75 W lamp	20.00	
180		Spot Light 100 W black for KUPO electric track	10.00	
100		Alogen spot 150 W white for KUPO electric track	10.00	
div.		Kupo electric track white 0.5 m, 1 m, 1.5m, 2m, 3m price per meter	From 10.00	
134		Spot Light 100 W black with integrated clamp	10.00	
47		Spot Light 100 W white with integrated clamp	10.00	
10		Castor Bambino 673 2 KW without clamp	50.00	
1		Set of 12 SHOW TEC SUNSTRIP halogen bar with case	1'350.00	
5		IANIRO LILLIPUT ART 150	20.00	
4		Set of 4 x TECLUMEN PC CURVA 1200	400.00	
4	Bar with 4 x PAR 56 long, polish	40.00		
div.	LED TUBE (for neon tube substitution) NEW	From 10.00		
DISCO	2	BESTLIGHT STROBO 2500	100.00	
	9	GENI FL-2000 D strobo	120.00	
	2	PULSAR MK2 JUMBO STROBE	50.00	
	4	HAND UV lamp	20.00	
	2	DISCO-TEC GL-40 Laser	80.00	
	2	DISCO-TEC NLD5 100 LONG laser	100.00	
	6	ABSTRACT CYCLONE 250 W disco effect	80.00	
	6	ABSTRACT HYPERMOON disco effect	40.00	
	4	ABSTRACT TWISTER 3 disco effect	50.00	
	6	EUROLITE GOBOFLOWER III disco effect	40.00	
	1	LAMPO APOLLO disco effect	40.00	
	4	MARTIN ACROBAT EU disco effect	60.00	
	6	MARTIN MANIA disco effect	40.00	
	2	MARTIN SYNCHROZAP 250 QX disco effect (without lamp)	50.00	
	2	NJD DATAMOON disco effect	50.00	

LIGHT

1	LA NOVALIGHT BOOSTER HMI 2500 Sky Beamer	290.00
1	BUBBLE MACHINE	30.00
8	Mirror Ball 50 cm with motor	50.00
4	Mirror Ball 40 cm with motor	40.00
5	Mirror Ball 30 cm with motor	30.00

EFFECTS	1	MDG TOURING ATMOSPHERE smoke machine with special flight case	3'500.00
	2	JEM ZR33 HI-MASS smoke machine in case	350.00
	2	MBN F-300 Foam Generator SET with Pump and 500/ 1000 l tank	590.00

CONTROLLER	1	BESTLIGHT strobo control	10.00
	1	EUROLITE ST-1 strobo control	10.00
	1	GENI DA-406 CONTROL 4 channel 1 KW	30.00
	1	ARIANNE DM 4100, chaser 4 x 1 kw new	50.00
	1	ELARA ZERO 88 in case	150.00
	1	MA LIGHT COMMANDER 24/6 in case	240.00
	3	PULSAR DESK 6 channel analogic command 0-10 V	25.00
	1	ELECTRALITE CP-1	50.00
	2	ELECTRA MASTER 4, chaser 4 x 1 KW	20.00
	1	NJD WAVELIGHT 2000 controller	50.00
	1	COEMAR MANUAL SYSTEM 12 PLUS	50.00
	1	NJD MERLIN 256	50.00
	2	PULSAR MASTERPIECE 108 in case	350.00
	2	MA SCANCOMMANDER in case	300.00
	3	COMPULITE E-PORT41	500.00
	1	PULSAR VOLTAGE TRANSLATOR	20.00
	2	SHOW TECH LED OPERATOR	100.00
	1	Set power control switch/chaser SGM	50.00

DIMMER	3	STRAND TEMPUS DIMMER 3 channel 5 KW, DMX	50.00
	1	STRAND ACT 6 DIMMER 6 channel 2 KW, DMX in case	150.00
	2	PULSAR DIMMER PACK 6 channel 2.3 KW 0-10 V	150.00
	2	PULSAR DMX INTERFACE for DIMMER PACK in case	100.00
	1	Set 3 x PULSAR SWITCHING PACK 6 channel 1 KW in case	150.00
	1	SET BRENNENSTHUL 2 x DIMMER 300 W + 2 x SWITCH 2 KW + REMOTE	20.00
	1	J. COLLINS D86 SWITCH 8 channel	10.00

Much more equipment not listed and also free of charge on site

AUDIO

SPEAKER	2	D.A.S. 8" Full range	40.00
	10	JBL 1724P full range 12" + 2"	250.00
	2	JBL P792, 2 x 18" Subwoofer	450.00
	2	HK LUCAS NANO 600 Active set sub + satellite with incorporated mixer	650.00
	3	Set of 2 x bi-amplified TASCAM VL A4 studio Monitor	200.00
	8	ELECTRO VOICE DELTAMAX DML 1122 with flying hook	290.00
	3	Electro Voice S80	50.00
	1	Behringer TRUTH B2092A Active studio SUB	150.00
AMPLIFIER	2	RACK AMP CREST with 2 x 7301, 1 x 8001, 1 x DBX Drive Rack 260 in case	2'990.00
	3	AMP ONKIO TX-8255	190.00
	1	AMP DENON PMA-100M	100.00
	1	RACK AMP CROWN with 2 x MA1200 in case	850.00
	1	RACK AMP JBL with 1 x MPA 600 + 1 MPA 1100 + 1 DBX Drive Rack 260 in case	900.00
	1	RACK AMP POWERSOFT with 1 x Digam 5000	1'250.00
	1	RACK AMP POWERSOFT with 1 x Digam 7000	1'550.00
	5	Amplifier SAMSON SXD7000	390.00
	1	Amplifier TURBOSOUND RACKDP-50	390.00
	1	Amplifier DYNACORD DPA 4245	150.00
MIXER	1	MERLOUD Mixer Amplifier 120W/100V in case	150.00
	1	SOUNDCRAFT MH3 40+4 with PSU in case	1'990.00
	1	ALLEN & HEATH GL4000 32 in case	490.00
	1	ALLEN & HEATH GL 2400 in case	290.00
	3	ALLEN & HEATH ZED14	150.00
	2	SOUNDCRAFT MFX8/2	150.00
	2	SOUNDCRAFT Ui16 with Samsung Tablet	590.00
	2	YAMAHA LS9/16 in "Wick" case	1'250.00
	1	YAMAHA LS9/32 in "Wick" case	1'950.00
	1	PIONEER DJM1000	390.00
	1	PIONEER DJM700 (for spare parts)	Free
	1	PIONEER EFX-500	50.00
	1	ALLEN & HEATH XONE62	250.00
	2	ESO PRO	50.00
1	MACRO MIX ART-CESSORIES 4 channel	10.00	
1	JB SYSTEMS MIX 5.2	50.00	
DISCO/PLAYER	1	TASCAM CD-200i	100.00
	1	GEMINI CDMP-1500	50.00
	2	PIONEER CDJ - 200 with case	150.00
	4	DENON DN-D4000	200.00
	1	CD Player DMP-130MIX	50.00
	1	DENON DN-T620	10.00

AUDIO

OUTBOARD	4	DBX 266 XL Compressor/Gate/Limiter	80.00	
	2	DBX 166 XL Compressor/Gate/Limiter/Expander	100.00	
	1	DBX 1066 Compressor/Limiter/Gate	150.00	
	2	DRAWNER DL 441 Compressor/Limiter	150.00	
	1	DBX 1046 Compressor/Limiter	150.00	
	1	DRAWNER DS 404 Gate	150.00	
	1	DBX 1074 Gate	100.00	
	1	KLARK TEKNIK SQUARE ONE DINAMICS	150.00	
	1	ALLEN & HEATH IDR8 Digital processor	390.00	
	1	DBX DDP Digital dynamic processor	190.00	
	2	RANE DC-24 Dynamic processor/Compressor	60.00	
	4	DBX 1231 Graphic Equalizer	100.00	
	2	RANE GQ-15 EQ Graphic Equalizer	80.00	
	2	KLARK TEKNIK DN 360 Graphic EQ	200.00	
	2	KLARK TEKNIK DN 370 Graphic EQ	250.00	
	1	TC ELECTRONIC D-TWO Delay	100.00	
	2	LEXICON MPX 550 Processor	100.00	
	1	TC ELECTRONIC M-ONE Tap delay	100.00	
	1	FURMAN PL-8 E Power distributor and controller	50.00	
	2	FOCUSRITE SAFFIRE PRO 40 Firewire interface	250.00	
	4	APHEX DOMINATOR II	250.00	
	1	SYMETRIX 421 M	120.00	
	1	LEXICON MPX1	50.00	
	1	DBX DRIVERACK 260	150.00	
	3	BEHRINGER 8024	50.00	
	1	BEHRINGER DSP 9024	50.00	
	2	BEHRINGER ULTRAFEX PRO EX3200	20.00	
	1	BEHRINGER ULTRAMATCH PRO SRC 2496 [Brand NEW! Fr 262.-]	150.00	
	1	DRAWNER DL 241	80.00	
	2	SYMETRIX 551 E	120.00	
	3	KLARK TEKNIK SQUARE ONE 8 CH active splitter	150.00	
	<hr/>			
	MIC/D.I./Headph	2	SHURE Microflex 12	100.00
1		BEHRINGER XM1800S	10.00	
1		ELECTRO VOICE BK1	30.00	
1		ELECTRO VOICE RE-90 P-18	50.00	
7		AKG C419 Clip Long	40.00	
1		Neumann KM 183 Stereo SET Omni [NEW]	600.00	
1		SENNHEISER NET-1	Free	
12		Set Wireless SENNHEISER EW300 G3 hand sender with E865 + bodypack [C Band - Frequencies 734-776 MHz Ch54-Ch59, available only from middle May]	350.00	
<hr/>				
COMUNICATION		1	Set ALTAIR INTERCOM with 1 EF-200 base, 5 ALTAIR headphone kit	1'950.00
<hr/>				
CABLES	div.	Stage box XLR	From 30.00	

Much more equipment not listed and also free of charge on site

VIDEO

PROJECTOR	3	CHRISTIE LX 400 with standard optic 4000 Lumen	390.00
	2	EIKI LC-XT3 in case, without optic 10000 Lumen	790.00
	4	EIKI LC-XT4 in case, without optic 12000 Lumen	990.00
	1	EIKI LC-XT9 in case, without optic 9000 Lumen	690.00
	2	SANYO PLC-XF35 in case, without optic 6000 Lumen	590.00
	2	CHRISTIE HD8K	4'990.00
	1	CHRISTIE HD18K	11'990.00
	div.	Optic for SANYO, EIKI, CHRISTIE	From 350.00
	1	Panasonic Optic ET-DLE150	50.00
	1	Panasonic Optic ET-DLE100	50.00
SCREEN	1	ELECTRIC Screen 2 x 2 m front projection with motor	90.00
	1	ELECTRIC Screen 3 x 3 m front projection with motor	150.00
	2	PVC for Screen front projection 16:9 570 x 320	100.00
	1	PVC for Screen front projection 1670 x 470	250.00
	2	PVC for Screen front projection 4:3 300 x 200	50.00
	2	PVC for Screen front projection 4:3 600 x 450	80.00
	2	PVC for Screen front projection 751 x 538	100.00
	1	PVC for Screen front projection 932 x 482	100.00
	2	PVC for Screen rear projection 4:3 600 x 450	100.00
	2	PVC for Screen rear projection 520 x 385	100.00
	1	PVC for Screen rear projection 540 x 295	100.00
	1	PVC for Screen rear projection 800 x 300	100.00
	2	Stümpfl Vario 32 screen with alu chassis 4:3 200 x 150 with front and rear projecti	300.00
	2	Stümpfl Vario 32 screen with alu chassis 4:3 270 x 200 with front and rear projecti	400.00
	2	Stümpfl Vario 32 screen with alu chassis 4:3 390 x 290 with front and rear projecti	550.00
	MONITOR	3	MIC CS-104TV monitor TFT 10"
1		DELL E17FPB monitor TFT 17"	20.00
6		DELL 1907 monitor 19"	20.00
4		PANASONIC TH-42PH9EK TV plasma 42" in case	250.00
8		LG 60PK950 tv plasma 60" Full HD	350.00
8		"Wick" Case for LG60	550.00
3		ELO TOUCH ET2639L touscreen 26 "	350.00
div.		Accessories	From 10.00
PLAYER		1	LG GE20 DVD recorder
	1	PANASONIC DMR-E95H DVD recorder	20.00
	1	PIONEER DVR-440H HDD DVD recorder	20.00
	1	POPCORN HOUR C-200 HDD recorder	20.00
	1	PIONEER DVR-720HS HDD DVD recorder	20.00
	1	PIONEER DV-300-K DVD Player	10.00
	2	DENON DN-V310 DVD player	30.00
	1	NEWHANK DUS 1 DVD player	30.00
	9	PIONEER DV-400-K DVD player	20.00
	3	PIONEER DVD-V7300D DVD player	20.00
	1	SMARTRONIC DVD-SYNC DS4 synchronizer (for sync play of PIONEER DVD-7300)	Free
	2	ARIVA T650i Digital TV receiver	10.00
	1	PANASONIC SUPER VHS player	20.00
	1	LG RCT689H Combi DVD-R VHS	30.00

VIDEO

SWITCHER/ CONVERTER/ SPLITTER/ DISTRIBUTOR	1	EXTRON MDA 2V EQ BNC video amp splitter	10.00
	1	EXTRON MDA 4V EQ BNC video amp splitter	20.00
	2	EXTRON P/2DA 4 XI HD15 video amp splitter	30.00
	2	EXTRON DA4 RGBHV BNC video amp splitter	30.00
	4	EXTRON VT001 HD15 converter	80.00
	5	MARSHALL BC-0301-08 SDI converter	10.00
	3	MARSHALL BC-0301-10 SDI converter	10.00
	1	EXTRON ADA 2 300 HV BNC splitter	30.00
	1	EXTRON RGB 109 PLUS RGB-HD15 interface	30.00
	1	KRAMER VP-88 RGB matrix	190.00
	1	EXTRON ISS 506 scaler	490.00
	1	Comm - Tec UP 1080P HDMI Scaler - Switcher	250.00
	1	KRAMER VP419XL scaler	290.00
	<hr/>		
CAMERAS	1	MERCEDES ACTROS (08 Van SD 16:9 fully equipped with 6 Camera in good working condition) (see attached pictures)	29'990.00
	1	Camera PANASONIC DVCPRO AJ-D200 with accessories	150.00
<hr/>			
LEDWALL	3	SET Ledwall 16:9 P6.4 SMD Black Led 4.60m x 2.56 m Indoor (included controller, accessories, configuration software, configuration file & spare parts)	14'500.00
	1	Whole packaging of P6.4 Ledwall Indoor (40 sqm) all accessories included	40'000.00
	1	Whole packaging of P3.9 Ledwall full Outdoor (15 sqm) all accessories included (available <u>only</u> at the end of july 2018)	40'000.00
<hr/>			
MEDIA SERVER	1	STUMPFL WINGS STAGE ENGINE QUAD	19'500.00

Much more equipment not listed and also free of charge on site

DIVERSES

IT

COMPUTERS	2	MINI MAC	400.00
	1	MAC BOOK 13.1" 2.26 MHz	600.00

ACCESSORIES	2	TRASCENDER MULTICARD READER	20.00
	3	LAPTOP STAND	50.00
	2	MACBOOK STAND	80.00

DECO

LIGHT	9	ISA HD 2054 desk lamp	10.00
	10	CEILING LAMP white	Free

FORNITURE/ OTHER	4	MEETING SEATs	50.00
	div.	TARPAULIN fabric/PVC	From 10.00

FLIGHTCASES

FLIGHTCASE	div.	FLIGHTCASES	From 30.00
-------------------	------	-------------	------------

CABLES

CABLE	div.	Power Cables on site	From 10.00
	div.	Audio Cables on site	From 10.00
	div.	Video Cables on site	From 10.00
	div.	Power sockets, plugs and boxes	From 5.00

RIGGING

TRUSS	div.	TRILITE	From 30.00
--------------	------	---------	------------

STAGE	28	BÜTEC 2 x 1 Stage element rounded corners	180.00
--------------	----	---	--------

MOTOR & ACC.	div.	G/C Clamp	From 1.00
	4	Safety Steel 1 m 1160 KG	10.00
	12	Safety Steel 10 m 1160 KG	30.00
	4	Safety Steel 2.5 m 1900 KG	15.00
	8	Safety Steel 2.5 m 1160 KG	15.00
	1	Safety Steel 2.15 m 600 KG	10.00
	1	Safety Steel 3.20 m 600 KG	10.00
	1	Safety Steel 4.50 m 600 KG	10.00
	4	Wahlefeld 6-2000 L prestressed safety	150.00
	div.	Slings 0.5 m 2T	5.00
	div.	Slings 1 m 2T	10.00
	div.	Slings 1.5 m 2T	15.00
	div.	Slings 2.0 m 2T	20.00

DIVERSES

VARIUS

VEHICLE	1	IVECO 35C15 (Dino) 02.2002 KM 211'000 (see attached pictures)	6'900.00
	1	IVECO 35-12 (Martin) 11.2000 KM 149'000 (see attached pictures)	5'900.00
	1	MERCEDES ACTROS (OB Van SD 16:9 fully equipped with 6 Camera in good working condition) 04.1998 KM 146'500 (see attached pictures)	29'990.00
	1	Mobile Stage 7.10 x 6.25 m - Xilly 100 (see attached pictures)	19'990.00

MEASUREMENT	2	Phonometer CESVA LCA-02	300.00
--------------------	---	-------------------------	--------

Much more equipment not listed and also free of charge on site

DIVERSES

IVECO 35C15 (Dino) - Visit by appointment in Bioggio



IVECO 35-12 (Martin) - Visit by appointment in Bioggio



DIVERSES

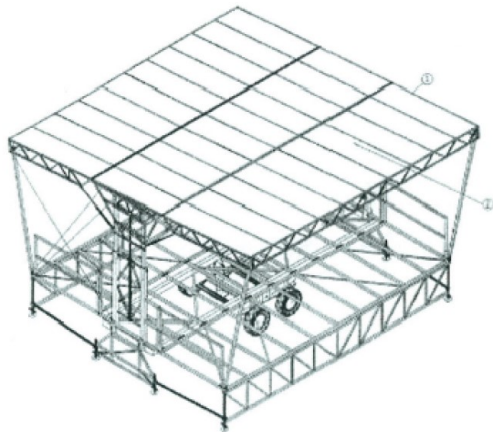
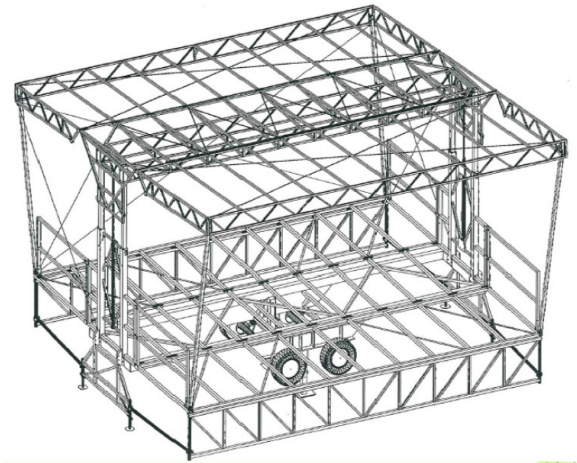
MERCEDES ACTROS (OB Van SD 16:9 fully equipped with 6 Camera in good working condition)
Visit by appointment in Bioggio



Much more equipment not listed and also free of charge on site

DIVERSES

Mobile Stage 7.10 x 6.25 m - Xilly 100 - Visit by appointment in Bioggio



Xilly SL100 Isometrie / Fotos			
Datum, Versione		Marz 2007, Ver. 1.02	
Aut.		M. Kessler / M. Bossi	
Projet		DIN A4 quer	

